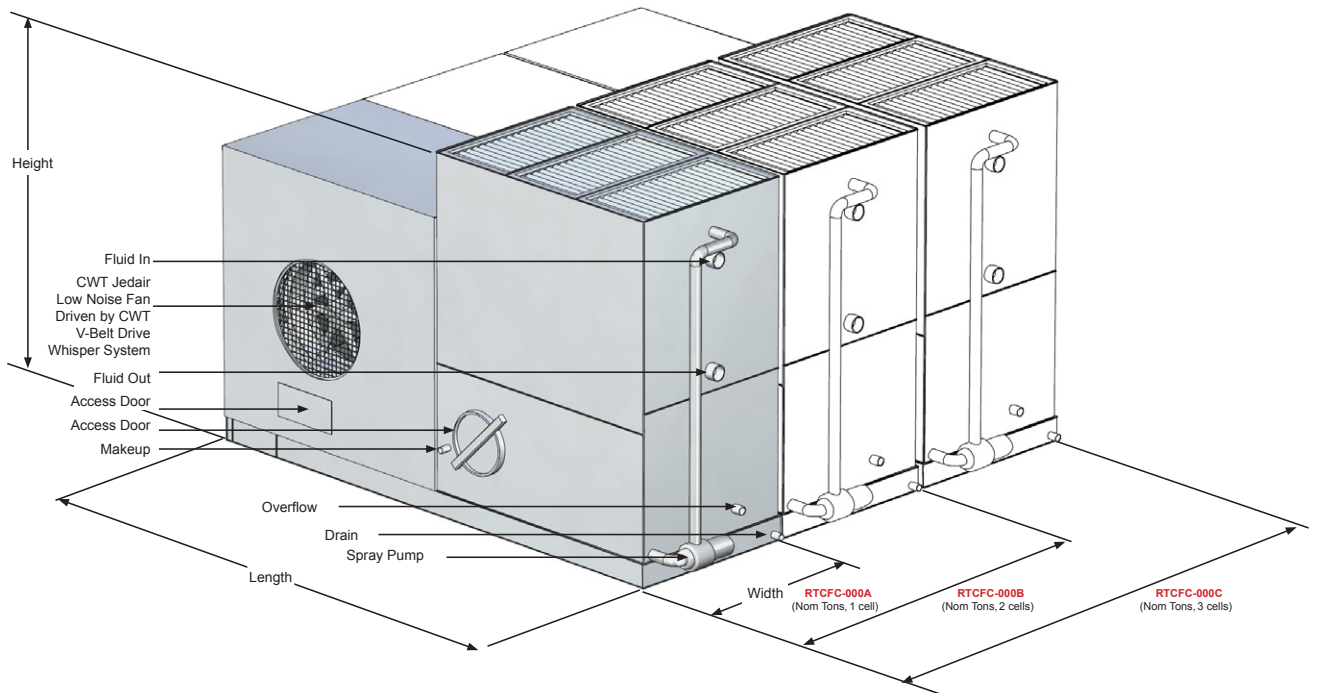
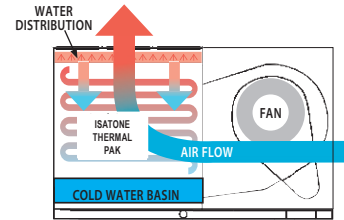


RTCF-C SERIES

CLOSED CIRCUIT

Centrifugal Fan
 Forced Draft
 Counterflow
 Belt Drive
 Small HVAC
 Capacity 4.5 - 200 tons per cell

Features:
 iD Intelligent Control, CoolCore™ Sheet and Block Fill, Jedair Fan System



FEATURES

ONE STOP INSTALLATION.

May be installed completely assembled with mounted motor and make-up system.

CIRCULAR ACCESS DOOR

SINGLE SIDE AIR INTAKE

Accommodates sound-sensitive locations.

CENTRIFUGAL FAN

Low sound and extra power overcomes static pressure for external ducting, permitting indoor use.

FIELD AND FACTORY INSTALLED

FRAME CONSTRUCTION

The RTCF Series is frame constructed for increased durability and longer service life.

ANTI-CLOGGING NOZZLES

Wet deck is equipped with large orifice anti-clogging nozzles.

STAINLESS STEEL NO-VORTEX SUCTION STRAINER

Standard stainless steel suction strainer is part of the Cool Water Technologies Total Protection Layer to eliminate corrosion and decay. No-vortex design prevents turbulence and provides smooth water exit.

HEAVY DUTY CONSTRUCTION

Composite matrix, stainless steel and galvanized options.

WELDED COLD WATER BASIN

Galvanized or stainless steel.

5 YEAR MOTOR AND DRIVE WARRANTY

COOLCORE™ SHEET AND BLOCK FILL

Offers superior heat transfer and withstands corrosion and biological attack.

COOLCORE™ ISATONE™ THERMAL PAK COIL:

Serpentine, constructed of Heavy Gauge G-235 Galvanized Steel.

RTCF-C SERIES



Engineering and Temperature Data for RTAC Single Cell, Double Fan Towers:

MODEL NUMBER	NOM. TONS	CELL WEIGHTS (LBS)		LENGTH	WIDTH	HEIGHT
		OPERATING WEIGHT	SHIPPING			
RTCF-C-4	4	2600	1900	7' 1"	4' 1"	5' 6"
RTCF-C-7	7	2800	2100			6' 4"
RTCF-C-8	8	3200	2350			6' 10"
RTCF-C-11	11	3400	2600			7' 7"
RTCF-C-12	12	3400	2600			7' 7"

MODEL NUMBER	NOM. TONS	CELL WEIGHTS (LBS)		LENGTH	WIDTH	HEIGHT
		OPERATING WEIGHT	SHIPPING			
RTCF-C-15	15	4600	3200	11'	4' 1"	6' 4"
RTCF-C-18	18	5200	3500			6' 7"
RTCF-C-23	23	5800	4000			7' 4"
RTCF-C-26	26	5800	4000			7' 7"

MODEL NUMBER	NOM. TONS	CELL WEIGHTS (LBS)		LENGTH	WIDTH	HEIGHT
		OPERATING WEIGHT	SHIPPING			
RTCF-C-31	31	7100	4700	15'	4' 1"	6' 10"
RTCF-C-38	38	8000	5400			7' 9"
RTCF-C-43	43	8000	5400			8'

MODEL NUMBER	NOM. TONS	CELL WEIGHTS (LBS)		LENGTH	WIDTH	HEIGHT
		OPERATING WEIGHT	SHIPPING			
RTCF-C-38	38	8900	5600	18'	4' 1"	6' 10"
RTCF-C-40	40	9900	6500			7' 9"
RTCF-C-46	46	9900	6500			7' 9"
RTCF-C-48	48	10900	7300			8' 5"

MODEL NUMBER	NOM. TONS	CELL WEIGHTS (LBS)		LENGTH	WIDTH	HEIGHT
		OPERATING WEIGHT	SHIPPING			
RTCF-C-61	69	13600	8800	15'	7' 11"	7' 1"
RTCF-C-66	75	13600	8800			7' 1"
RTCF-C-71	81	15200	9900			8'
RTCF-C-76	86	16600	11000			8' 8"
RTCF-C-85	97	16600	11000			8' 8"
RTCF-C-83	94	20700	13000	18'	7' 11"	8' 5"
RTCF-C-95	108	20700	13000			8' 5"